



MINETRUCK MT2010

Underground articulated truck
with 20-tonne load capacity



Atlas Copco

MINETRUCK MT2010

COMPACT AND QUICK FOR EFFICIENT HAULAGE

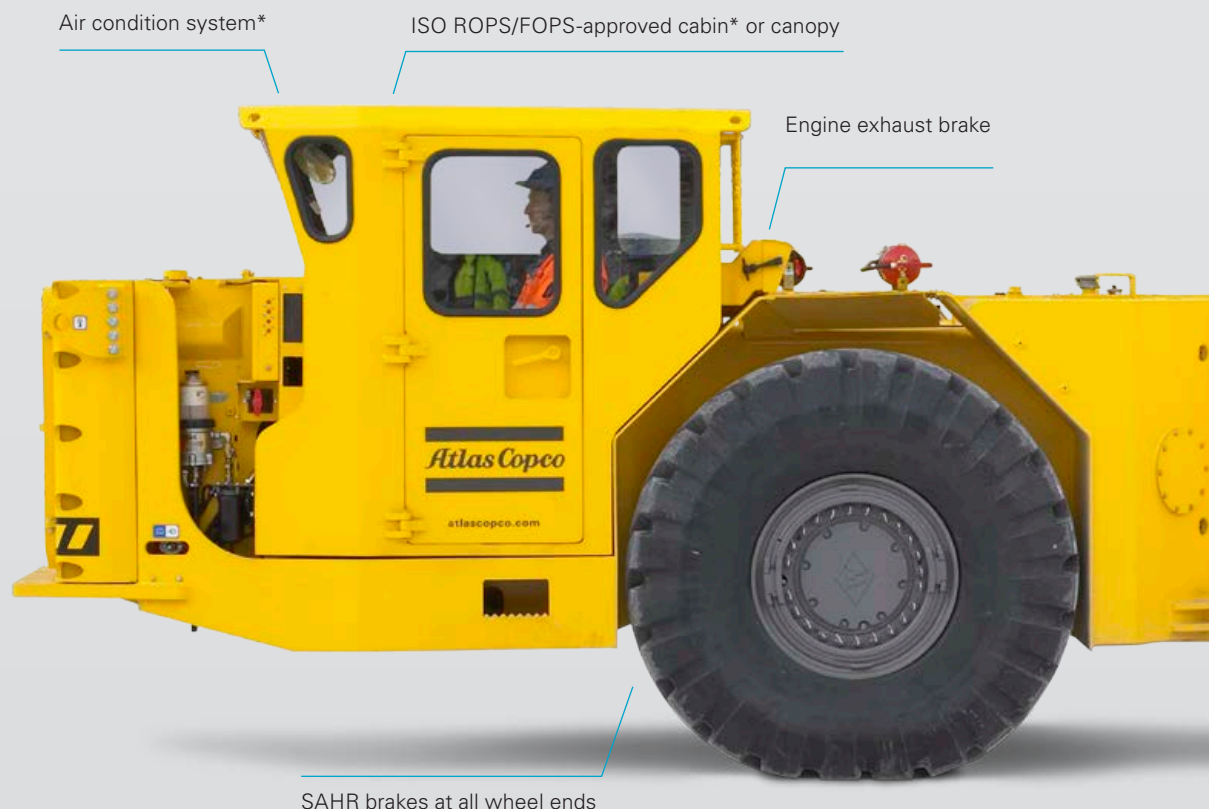
MT2010 IS AN ARTICULATED UNDERGROUND TRUCK WITH A LOAD CAPACITY OF 20 METRIC TONNES. IT HAS BEEN EXPERTLY DESIGNED FOR FAST, EFFICIENT HAULAGE IN SMALL-TO-MEDIUM MINING AND CONSTRUCTION OPERATIONS. MT2010 IS BUILT WITH SAFETY AND EASE OF OPERATION IN MIND.

+ MAIN BENEFITS

No. 1 in Safety: The MT2010 has been designed with workers' wellbeing as a primary concern. Safety features include ISO ROPS/FOPS operator's compartment, hydraulic-release (SAHR) brakes, articulation safety lock, dump box safety support stand, rear-view camera and audio-visual reverse alarm.

Small and Lithe: The MT2010 has a compact envelope and offers high manoeuvrability, even in restricted spaces.

Maximum Efficiency and Productivity: The durable MT2010 is impressively fast to haul your materials up the ramp in no time. The truck's systems and components have been tested and refined through years of real work experience to stand the test of time.





The optional front seated cabin places the truck driver with controls easy to reach and read. The seat is comfortable and spring suspended within a pleasant, air conditioned work environment.



Powerful engine with reliable power train components to enable higher speeds on inclines.



Optional Teletram dump box to release materials horizontally in areas with a low back height.



FEATURES

Safety

- SO FOPS/ROPS-certified operator compartment with three-point entry and exit
- Spring-apply, hydraulic-release (SAHR) brakes for reliable braking
- Box-up stand for safe work under dump box
- Rear-view camera and monitor for driver assistance and maximum safety

Comfort

- Side-seated canopy with back protection
- Optional front-seated cabin with air conditioning and sliding window on door for safe, comfortable working conditions

Sustainability

- Engine exhaust brake to further extend brake life
- Engine overspeed protection
- Converter lockup for more efficient energy transfer and longer component life
- Robust power train components for lower maintenance costs
- Long-life roller bearings at centre hinge

Productivity

- High power-to-weight ratio to enable greater speeds on inclines
- Box optimized for quick, clean dumping

Serviceability

- Easy maintenance with centrally located service point
- Anti-skid materials at service access points
- Central manual lubrication

SPECIFICATIONS

Capacities	
Tramming capacity	20 000 kg
Motion times	
Dumping	15 sec
Weights (Standard equipped vehicle (empty weight))	
Approximate weight	20 500 kg
Front axle load	13 800 kg
Rear axle load	6 700 kg

ENGINE

	Standard
Brand/model:	Cummins QSL9 EPA Tier 3
Power rating	224 kW / 300 hp @ 2100 rpm
Maximum torque	1 369 Nm @ 1500 rpm
MSHA Part 7 ventilation rate*	368 m³/min
MSHA Part 7 particulate index**	396 m³/min
Optional	
Brand/model:	Cummins QSL9 EPA Tier 4 interim
Power rating	224 kW / 300 hp @ 2 100 rpm
Maximum torque	1 383 Nm @ 1 500 rpm
MSHA Part 7 ventilation rate*	354 m³/min
MSHA Part 7 particulate index**	14.2 m³/min

* Both alternatives are equipped with dry type air cleaner, catalytic exhaust purifier and silencer, exhaust heat protection, cooling package with tube type radiator, remote engine oil and cooling fluid drain.

** MSHA = Mine Safety and Health Administration, USA. Ventilation rate = quantity of additional ventilation air required to dilute raw exhaust emission to a respective level per engine.

** Particulate Index = Calculated air flow for minimum diesel particulate matter (DPM) dilution to a safe level per engine

FUEL

Fuel tank capacity: 379 litres	●
Fuel filtration, primary, including water trap: 7µm	●
Fuel filtration, Secondary: 3µm	●

AXLES

Brand/model: Okubo Rock Tough 457	●
Degree of front axle oscillation: 20° (10° on each side)	●
Differentials: Front, Open	●
Differentials: Rear, Open	●

BRAKES

Fully enclosed, force-cooled, multiple wet discs at each wheel end	●
Service/parking/emergency brakes: SAHR	●
Brake apply after 3 sec in neutral	●

TYRES*

Tubeless tyres design for underground mine service*	●
Tyre size front and rear: 18.00 x 25 (threaded)	●

*As applications and conditions vary, Atlas Copco recommends that the user consults with tyre suppliers to obtain the optimum tyre selection

ELECTRICAL SYSTEM

System voltage: Start & accessories 24 V	●
Mine duty high output alternator: 140 Amps	●
Isolation switch lockout	●
24/12V converter	●
Driving lights LED: 8 x 40W	●
Tail and brake lights	●
Detachable service light (Required for CE Approval Vehicles)	○
Amber strobe light - Ignition on	○



OPERATOR'S COMPARTMENT

Side seated canopy for bi-directional operation with stick steering (ISO ROPS/FOPS)	●
Side seated low built canopy for bi-directional operation with stick steering (ROPS/FOPS)	○
Forward seated cabin with steering wheel (ISO ROPS/FOPS)	○
Air condition system, pressurized with filtered air	●
Open door retainer	●
Spring seat suspension seat with 2-point retractable seat belt	●
Sliding window on door	●
Heater (not applicable for side seated low built canopy)	○
External sound level according to ISO 6395 LwA 122 dB(A)	
Sound level in canopy according to ISO 6396 LpA 108 dB(A)	
Sound level in cabin according to ISO 6396 LpA 85 dB(A)	
Whole body vibration value according to EN 14253 A(8)w in range of 0.5 to 2 m/s ² (typical value for similar machines)	

HYDRAULIC SYSTEM

Heavy duty gear type pumps	●
System pressure: 15.5 MPa	●
Hydraulic tank capacity 223 litres	●
Filtration, suction	●
Electric pump for hydraulic tank fill, 24 V	●
Manual pump for hydraulic tank fill	○
Cylinders; chrome plated stems, diameter: Steer cylinders (2), 115 mm	
Cylinders; chrome plated stems, diameter: Dump cylinders (2), 140 mm	

TRANSMISSION

Full power shift, 4 speed forward/reverse	●
Brand/model: Dana 6000 series	●
Converter; single stage with automatic lock-up	●

PARTS AND SERVICES

Preventive maintenance kits	○
Repair and rebuild kits	○
Upgrade kits	○
Face mechanics tool set	○
Shop mechanics tool set	○

CONTROL SYSTEM

Rear camera and monitor	●
Audio-visual reverse alarm	●
Speedometer	●
Blockout 3rd and/or 4th gears	○
Joystick controls for steering and dump control for side seated bi directional operation	○
CertiQ telematics solution professional*	○

*Certain country restriction may exist

SYSTEM

Wiggins fast fuel fill	○
Wiggins fast hydraulic oil fill	○
Hand held fire extinguishes	○
Ansul manually activated fire suppression system with engine shut down	○
Ansul Checkfire automatically activated fire suppression system	○
Emergency steering	○

MAIN FRAME

Lock on articulation and raised dump box	●
Optional box sizes and tailgate configuration	○
Teletram dump box*	○
Wheel chocks and brackets	○
Knockdown construction	○
Central manual lubrication system	●
Central automatic lubrication system	○

*Teletram dump box changes dumping method and vehicle dimensions (consult with your local customer center)

POWER UNIT

Arctic oil	○
Block heater (240V)	○
Corrosion Resistant Radiator	○

**ATLAS COPCO SERVICE.
IT'S NOT JUST ABOUT
PROMISES, IT'S ABOUT
DELIVERY.**

We offer several levels of service agreements to meet the requirements of your operation and safeguard your productivity. Our service agreements help you build a quality operation focused on proactive, planned maintenance to minimize unplanned downtime. We support maintenance with detailed parts information on every item in our full inventory of components, accessories, and tools.



GRADE PERFORMANCE*

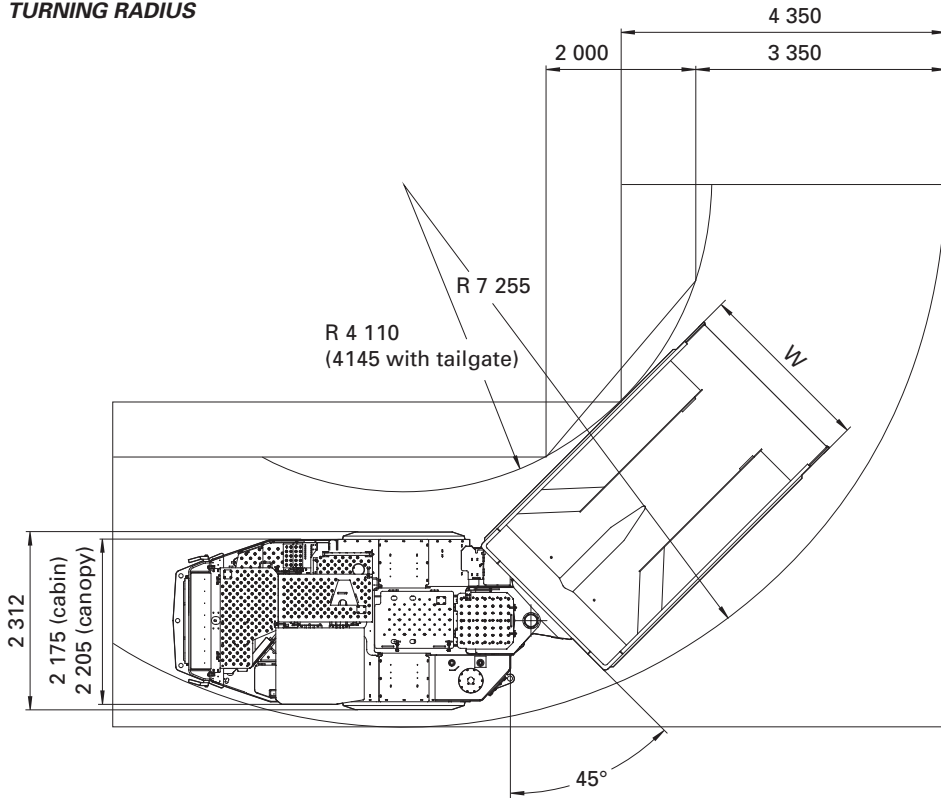
Standard configuration, box empty												
%	Grade	0.0	2.0	4.0	6.0	8.3	10.0	12.5	14.3	16.0	18.0	20.0
Ratio	Grade	–	–	–	–	1:12	1:10	1:8	1:7	–	–	1:5
km/h	1st gear	4.5	4.5	4.5	4.5	4.5	4.4	4.4	4.4	4.4	4.4	4.4
	2nd gear	8.0	8.0	8.0	8.0	8.0	7.9	7.9	7.9	7.9	7.8	7.8
	3rd gear	14.1	14.1	14.0	13.9	13.8	13.8	13.7	13.6	13.5	13.5	13.1
	4th gear	25.1	24.9	24.7	24.4	24.2	23.4	21.9	19.6	–	–	–
Standard configuration, box loaded												
%	Grade	0.0	2.0	4.0	6.0	8.3	10.0	12.5	14.3	16.0	18.0	20.0
Ratio	Grade	–	–	–	–	1:12	1:10	1:8	1:7	–	–	1:5
km/h	1st gear	4.5	4.5	4.4	4.4	4.4	4.4	4.4	4.4	4.3	4.3	4.3
	2nd gear	8.0	7.9	7.9	7.8	7.8	7.8	7.7	7.7	7.6	7.3	7.0
	3rd gear	14.0	13.8	13.7	13.5	13.2	12.3	10.9	–	–	–	–
	4th gear	24.7	24.2	22.4	17.6	–	–	–	–	–	–	–

*These are theoretical calculations and should be seen as a reference only. 3% rolling resistance assumed. Actual performance may vary depending on the application. Continuous operation is recommended on maximum 1:7 grade.



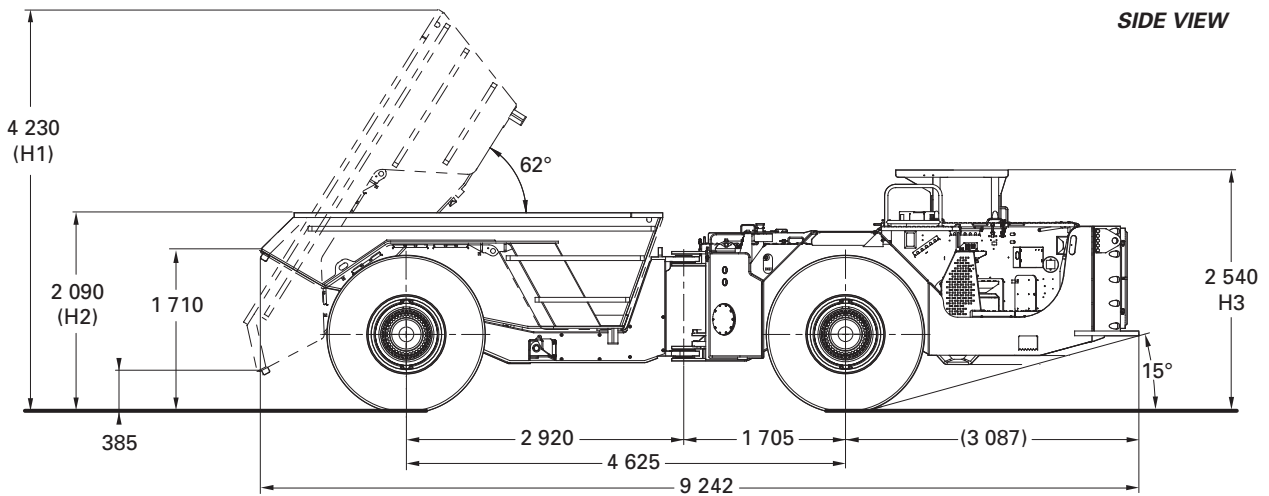
MEASUREMENTS AND WEIGHTS

TURNING RADIUS



Dimensions

- All dimensions are shown in millimetres
- All dimensions shown are based on standard vehicle configuration with 27 mm tire deflection, unloaded



SIDE VIEW

DUMP BOXES

Dump boxes with tailgate					Dump boxes without tailgate						Teletram boxes*		
				STD						STD			
Volume, SAE heaped (m ³)	11.0	10.0	9.1	8.4	11.0	10.0	9.0	8.4	7.7	6.7	8.9	7.9	
Volume, SAE semi-heaped (m ³)	10	9.0	8.1	7.4	10	9.0	8.0	7.3	6.6	5.7	8.1	7.0	
Volume, SAE struck (m ³)	9.2	8.0	7.1	6.5	9.2	8.0	7.0	6.3	5.6	4.6	7.3	6.2	
Maximum material density (t/m ³)	1.8	2.0	2.2	2.4	1.8	2.0	2.2	2.4	2.6	3.0	2.0	2.3	
Width, dump box (mm)	(W)	2 400	2 400	2 400	2 400	2 435	2 435	2 435	2 435	2 435	2 220	2 200	
Dump position: box height, max (mm)	(H1)	4 445	4 341	4 301	4 199	4 445	4 330	4 230	4 200	4 100	4 100	2 870	2 565
Tramming position: dump box height (mm)	(H2)	2 355	2 215	2 090	2 059	2 351	2 214	2 089	2 055	1 935	1 935	2 800	2 565

*Teletram box has a different functionality, reduced capacity, different dimensions affecting turning radius etc., more sizes can be available, please consult Atlas Copco for more information.

Operators compartment	Cabin	Canopy standard	Canopy low profile
Height, mm (H3)	2 530	2 540	2 400

9851 2464 01 2016-04 Orebro, Sweden, Legal Notice © Copyright 2014, Atlas Copco Rock Drills AB, Orebro, Sweden. Any unauthorized use or copying of the contents or any part thereof is prohibited. Illustrations and photos may show equipment with optional extras. No warranty is made regarding specifications or otherwise. Specifications and equipment are subject to change without notice. Consult your Atlas Copco Customer Center for specific information.



COMMITTED TO SUSTAINABLE PRODUCTIVITY

We stand by our responsibilities towards our customers,
towards the environment and the people around us.
We make performance stand the test of time.
This is what we call – Sustainable Productivity.

www.atlascopco.com

